

Yixing Indoor wall mount cabinet

Yixing indoor wall mount cabinets for advanced storage, cooling, power distribution, cable management and security in data centers and network rooms.

Designed to accommodate today's powerful computing hardware and scalable to cater for emerging high end blade server and equipment technologies that are rapidly appearing over the horizon - the world and the data center environment is changing and a new generation of rack solutions is born for this change.



Type A



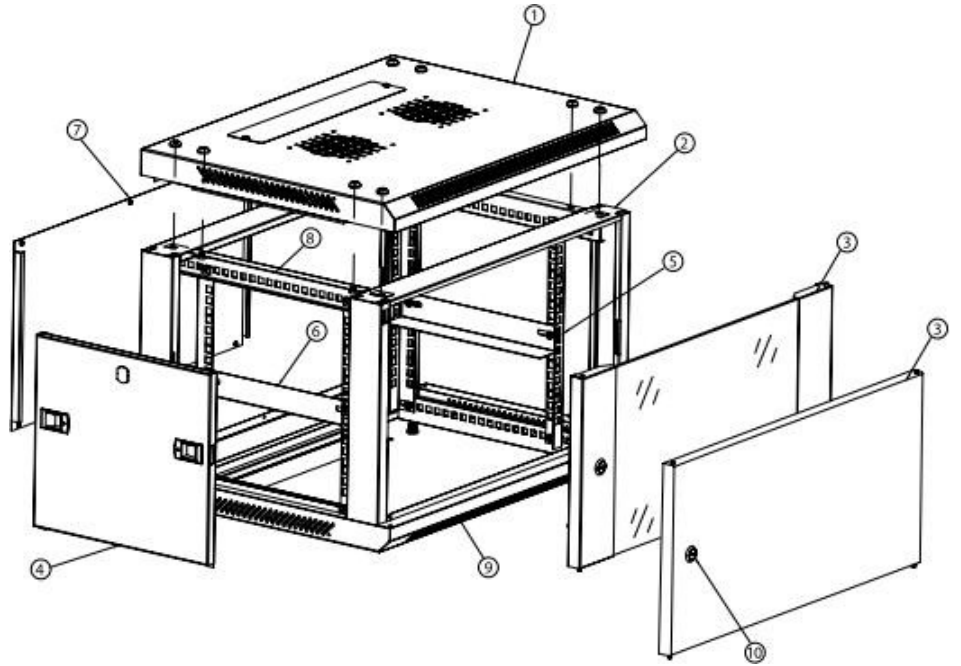
Type B



Structure

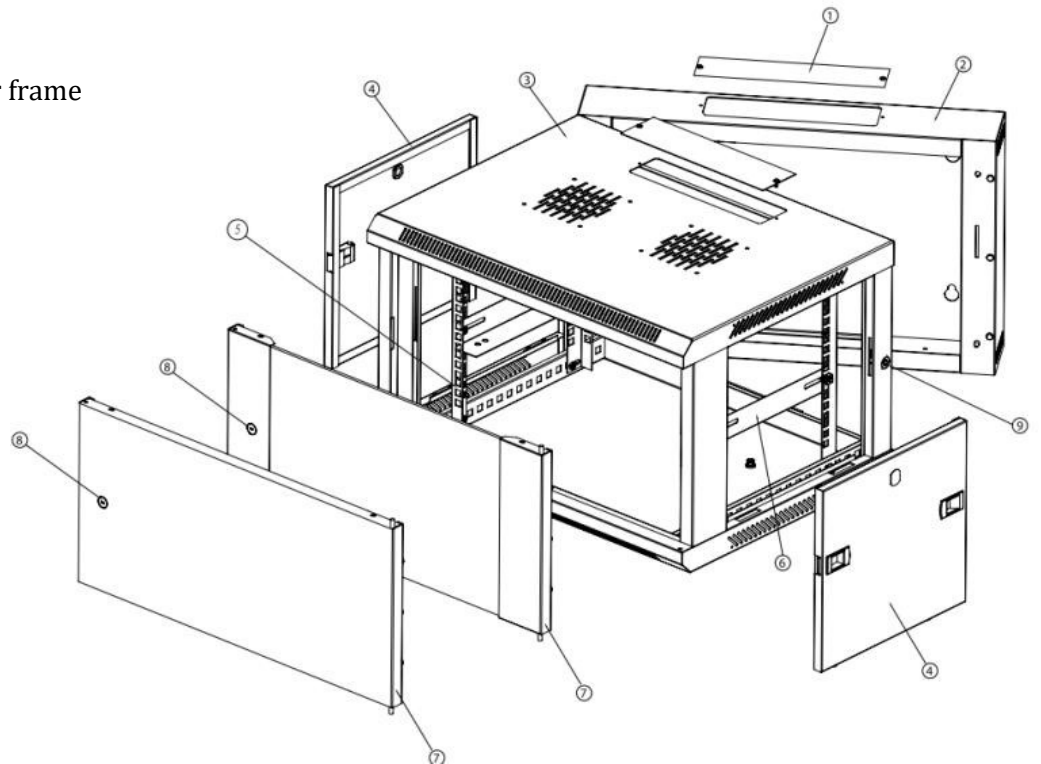
Type A

- Top
- Frame
- Front door
- Side panel
- Mounting rails
- L-Supporting shelf
- Rear door
- Ledge
- Base
- Lock



Type B

- Cable inlet cover 2: Rear frame
- Shell frame
- Side panel
- Mounting column
- L-Supporting shelf
- Front door
- Lock



Overview

Yixing indoor wall mount cabinets are designed and manufactured in Yixing ISO9001 registered facility, which are fully qualified to IEC297.1, IEC297.2 and GB/T3047.2-92 standards. This cabinet is currently being widely used for housing of standard electrical equipment and server in indoor conditions. Wall mound load capacity approx: 60Kg, standing load capacity approx: 800Kg, customization is available:

Item	Capacity (U)	Width (mm)	Depth (mm)	Height (mm)
YIDC (604504)-S01	4	600	450	278
YIDC (604506)-S01	6	600	450	367
YIDC (606006)-S01	6	600	600	367
YIDC (604509)-S01	9	600	450	500
YIDC (606009)-S01	9	600	600	500
YIDC (604512)-S01	12	600	450	633
YIDC (606012)-S01	12	600	600	633
YIDC (604515)-S01	15	600	450	766
YIDC (606015)-S01	15	600	600	766
YIDC (604518)-S01	18	600	450	900
YIDC (606018)-S01	18	600	600	900
YIDC (608018)-S01	18	600	800	900
YIDC (604522)-S01	22	600	450	1073
YIDC (606022)-S01	22	600	600	1073
YIDC (608022)-S01	22	600	800	1073
YIDC (604524)-S01	24	600	450	1167
YIDC (606024)-S01	24	600	600	1167
YIDC(604527)-S01	27	600	450	1300
YIDC (606027)-S01	27	600	600	1300
YIDC (608027)-S01	27	600	800	1300

Features

- Top quality steel with cover by electrostatic painted ensures the strong body and pleasing appearance.
- RAL9005/ RAL9004/RAL7035/ RAL7032 upon request.
- Closed type: Front door, quick release left and right side panels. Side panel can be locked to prevent theft(optional)
- Metal or glass door upon request.
- Both top and bottom cable entries are available
- 19” mounting rails are mounted inside
- Easy installation: wall mountable
- Package: assembled packaging or flat packing upon request.
- PDU can be added upon request (optional, to be ordered separately)
- Optional shelf for equipment is available (optional, to be ordered separately)
- Optional fans can be loaded for cooling (optional, to be ordered separately)

Operation Conditions	
Temperature	-5°C -- 60°C
Humidity	≤85% at 30°C
Air Pressure	70kPa – 106kPa

Shipping Information	
Package Contents	Network rack cabinet 1 unit
Package Dimensions(W*H*D)	Depend on the dimensions of the product
Material	Carton with a pallet
Weight	Depend on the dimensions of the product
Lead Time	25 working days